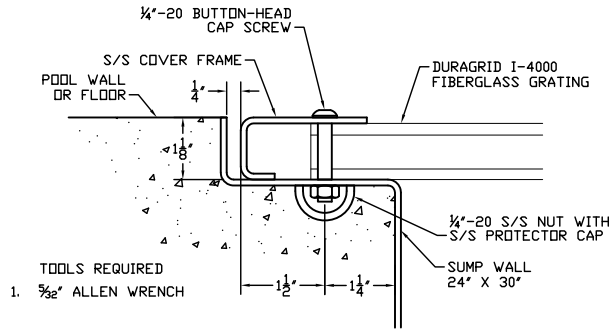


PARTS USED FOR S/S SUMP INSTALL		
DESCRIPTION	PART #	QUANTITY
STAINLESS STEEL FRAME	DSFF030-3600	1
F.G. GRATE 32" W X 27" B.B.	DSG3227	1
1/4" GROUND LUG SCREW	BB02507-5000	1
1/4" B. H. CAP SCREW 1 1/2" LG.	SSBS025-1500L	8
ANTI-SEIZE LUBRICANT	SBANTI-SEIZE	1

PARTS USED FOR CONCRETE SUMP INSTALL		
DESCRIPTION	PART #	QUANTITY
ANTI-ENTRAPMENT COVER	DSFF030-3600	1
F.G. GRATE 32" W X 27" B.B.	DSG3227	1
1/4" GROUND LUG SCREW	BB02507-5000	1
1/4" S/S DROP-IN ANCHOR	SBCA025-316L	8
1/4" B. H. CAP SCREW 1 1/2" LG.	SSBS025-1500L	8
ANCHOR SETTING TOOL	SBCA025-TOOL	1
ANTI-SEIZE LUBRICANT	SBANTI-SEIZE	1

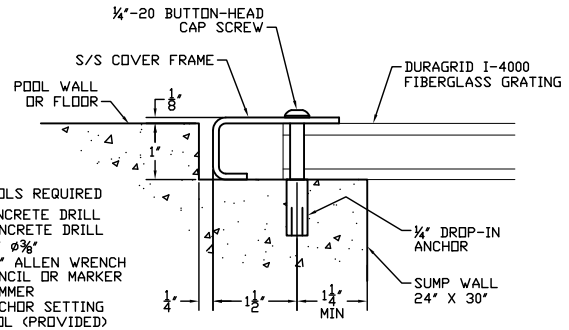


STAINLESS STEEL SUMP INSTALLATION

SUMP MUST MEET DIMENSIONS SHOWN IN FIGURE 2 OF THE ANSI/APSP-16 2011 STANDARD

THESE INSTALLATION INSTRUCTIONS ARE FOR THE MANUFACTURERS RECOMMENDED STAINLESS STEEL SUMP MODEL # SUF30X36-X (X=PIPE SIZE)

- GRATE SHOULD BE IN PLACE WHEN CONCRETE IS POURED AROUND THE SUMP TO PREVENT PRESSURE FROM THE CONCRETE DISTORTING THE SUMP WALL AND MOVING THE MOUNTING LOCATIONS
- FRAME DOES NOT NEED A SEPARATE GROUNDING WIRE, IT WILL GROUND THROUGH THE HARDWARE (S/S SUMP SHOULD BE GROUNDED)
- APPLY ANTI-SEIZE LUBRICANT TO THE PROVIDED BUTTON-HEAD SCREWS
- PUT ASSEMBLY IN PLACE AND ATTACH WITH BUTTON-HEAD SCREWS CARE SHOULD BE TAKEN TO MAKE SURE THE FIBERGLASS GRATE IS CENTERED UNDER THE S/S FRAME, A 3/32" ALLEN WRENCH IS NEEDED (TORQUE SCREWS TO 5 FOOT POUNDS)



CONCRETE SUMP INSTALLATION WITH 1"X3" LEDGE

SUMP MUST MEET DIMENSIONS SHOWN IN FIGURE 2 OF THE ANSI/APSP-16 2011 STANDARD

THESE INSTALLATION INSTRUCTIONS ARE FOR A CONCRETE FIELD FABRICATED SUMP

- SUMP NEEDS TO HAVE A CONCRETE LEDGE WITH OUTSIDE DIMS. 30"X36"
- PUT ASSEMBLY IN PLACE AND MARK ALL HOLE LOCATIONS, IF POSSIBLE USE A 1/4" CONCRETE BIT AND DRILL A PILOT HOLE 1" DEEP WITH COVER IN PLACE
- DRILL 3/8" HOLE IN ALL LOCATIONS 1" DEEP (CHECK MARKS AFTER EACH HOLE)
- INSERT 1/4" S/S DROP-IN ANCHORS, MAKE SURE THEY ARE FLUSH OR SLIGHTLY BELOW CONCRETE, SET THE ANCHOR BY STRIKING THE INTERNAL PIN WITH THE PROVIDED SETTING TOOL AND A HAMMER
- ATTACH THE GROUND LUG TO A SUITABLE GROUND (IF REQUIRED) A POTTING COMPOUND AVAILABLE FROM YOUR SUPPLIER TO ENCAPSULATE ALL GROUND CONNECTIONS BETWEEN S/S AND 8 GA. COPPER WIRE
- APPLY ANTI-SEIZE LUBRICANT TO THE PROVIDED BUTTON-HEAD SCREWS
- PUT ASSEMBLY IN PLACE AND ATTACH WITH BUTTON-HEAD SCREWS, CARE SHOULD BE TAKEN TO MAKE SURE THE FIBERGLASS GRATE IS CENTERED UNDER THE S/S FRAME, A 3/32" ALLEN WRENCH IS NEEDED (TORQUE SCREWS TO 5 FOOT POUNDS)

**DSF30X36 ANTI-ENTRAPMENT GRATE INFORMATION**  
**RECOMMENDED FLOW RATE 1,294 GPM - FLOOR AND WALL INSTALL**  
**READ AND UNDERSTAND COMPLETELY BEFORE INSTALLATION**  
**FAILURE TO DO SO CAN CAUSE SEVERE INJURY AND/OR DEATH**

- THIS GRATE WAS TESTED AND IS CERTIFIED TO ANSI/APSP-16 2011 STANDARDS
- MADE BY EUREKA MANUFACTURING, MODEL NUMBER DSF30X36, RECOMMENDED FLOW RATE = 1294 @ 1.5 F.P.S. MAX. FLOW FOR FLOOR INSTALLATION IS 2080 GPM - MAX. FLOW FOR WALL INSTALLATION IS 2056 GPM
- CLASSIFICATION IS "SUBMERGED SUCTION OUTLET" AND IS APPROVED FOR FLOOR AND WALL INSTALLATIONS
- THIS GRATE IS APPROVED TO ONLY FIT INTO THE MANUFACTURER RECOMMENDED STAINLESS STEEL SUMP OR A CONCRETE SUMP THAT CONFORMS TO THE DIMENSIONS IN FIG. 2 OF THE ANSI/APSP-16 2011 STANDARD, ANY OTHER APPLICATION MUST BE DESIGNED AND APPROVED BY A REGISTERED DESIGN PROFESSIONAL
- DO NOT LOCATE SUCTION OUTLET ON SEATING AREA OR ON THE BACK RESTS FOR SUCH SEATING AREAS
- REPLACE HARDWARE AND GRATE ASSEMBLY WITHIN 8 INSTALLED YEARS
- WHEN TWO OR MORE SUCTION FITTINGS ARE USED ON A COMMON SUCTION LINE THEY MUST BE SEPARATED BY A MINIMUM OF 3' (91.44 CM) OR POSITIONED ON TWO SEPARATE PLANES
- IN THE EVENT OF ONE SUCTION OUTLET BEING COMPLETELY BLOCKED, THE REMAINING SUCTION OUTLETS SERVING THE SYSTEM SHALL HAVE A FLOW RATING CAPABLE OF THE FULL FLOW OF THE PUMP(S) FOR THE SPECIFIC SUCTION SYSTEM
- THE SUCTION OUTLET SHOULD BE CHECKED FOR DAMAGE OR TAMPERING BEFORE EACH USE OF THE FACILITY
- MISSING, BROKEN, OR CRACKED SUCTION OUTLETS SHALL BE REPLACED BEFORE USING THE FACILITY
- LOOSE SUCTION OUTLETS SHALL BE REATTACHED OR REPLACED BEFORE USING THE FACILITY
- WHEN REPLACING THE PUMP, MAKE SURE NOT TO EXCEED THE MAXIMUM FLOW RATE FOR THE SUCTION OUTLET

**Facility**

**Signature**

**Date**

ANTI-ENTRAPMENT GRATE INSTALL

**Scale** NONE

**Drawing No.**

DSF 30X36

INSTALL

PAGE 1 OF 2

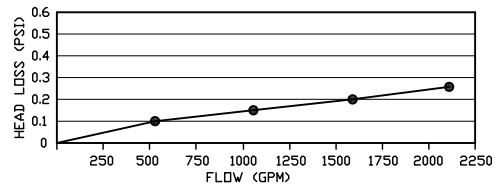
**Date** 7-13-09

**Drawn** AKP

**Chk.**

**Rev.** A 10-19-11

13. SERVICE AND WINTERIZING INSTRUCTIONS: CHECK GRATE DAILY WHILE POOL IS IN USE, IF GRATE SHOULD BECOME LOOSE TIGHTEN SOCKET-HEAD SCREWS OR REINSTALL
14. ACCEPTABLE CONNECTING PIPE SIZES ARE 8", 10", AND 12"
15. DO NOT EXCEED THE MAXIMUM ALLOWABLE FLOW OF 2080 GPM FOR FLOOR INSTALL AND 2056 GPM FOR WALL INSTALL
16. READ, THEN KEEP THESE INSTRUCTIONS FOR FUTURE REFERENCE



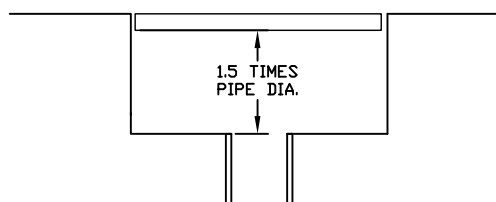
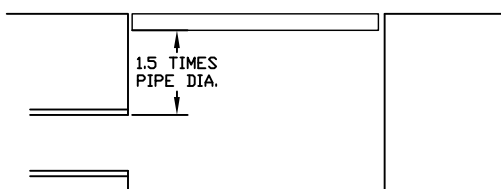
**THIS ANTI-ENTRAPMENT GRATE ASSEMBLY SHALL BE GUARANTEED BY THE MANUFACTURER FOR WORKMANSHIP AND MATERIALS FOR A PERIOD OF ONE (1) YEAR. GRATE IS MORE SUSCEPTIBLE TO CORROSION IF IT IS NOT GROUNDED. CLEANING THE GRATE TO PRESERVE THE FINISH MAY BE REQUIRED AND IS NOT COVERED UNDER THE WARRANTY. THE WARRANTY WILL NOT INCLUDE ABUSIVE OR IMPROPER TREATMENT OF THE GRATE DURING INSTALLATION OR UNDER OPERATION. THE COMPANY SHALL HAVE NO LIABILITY TO CORRECT ANY DAMAGE CAUSED BY NEGLIGENCE, MISUSE, OR ANY OTHER EXTERNAL CAUSES. THE BUYER'S SOLE REMEDY IS REPLACEMENT OF THE PRODUCT. THERE IS NO REMEDY FOR OTHER DAMAGES INCLUDING CONSEQUENTIAL DAMAGES FOR INSTALLATION COSTS, LOST PROFITS, OR OTHER DAMAGES.**

### POOL INFORMATION

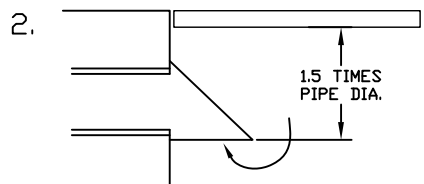
1. NUMBER OF SUMPS ON THIS SUCTION LINE \_\_\_\_\_
2. SIZE OF SUMP OPENING (S) \_\_\_\_\_
3. IS THE SUMP (S) UNDER POSITIVE SUCTION OR GRAVITY FLOW \_\_\_\_\_
4. DOES THE SYSTEM HAVE A VACUUM RELEASE SYSTEM \_\_\_\_\_
5. SIZE AND LOCATION OF PIPE IN THE SUMP \_\_\_\_\_
6. DISTANCE FROM POOL FLOOR TO THE SUCTION PIPE INLET (SEE BELOW) \_\_\_\_\_
7. GPM NEEDED ON THIS SUCTION LINE \_\_\_\_\_
8. DISTANCE BETWEEN PIPE CENTERLINES (IF MULTIPLE DRAINS) \_\_\_\_\_
9. PLEASE PROVIDE ANY ADDITIONAL INFORMATION THAT MAY BE NECESSARY OR HELPFUL \_\_\_\_\_

### SUMP OPTIONS

1. FIELD BUILT SUMP (INCLUDES EXISTING SUMPS)



-DRAWINGS REFLECT ANSI/APSP-16 2011 STANDARD, ADDITIONAL RESTRICTIONS MAY APPLY



- ADD SUCTION DIVERTER
- CONTACT YOUR SUPPLIER FOR MORE INFORMATION
- DETAILED SUMP INFORMATION WILL BE NEEDED

-IF YOUR SUMP DOES NOT MEET THE REQUIREMENTS DESCRIBED IN FIG. 1 IT MAY BE POSSIBLE TO ADD A SUCTION DIVERTER (DEPENDING ON YOUR SUMP CONFIGURATION) FOR MORE INFORMATION ON THIS OPTION CONTACT YOUR SUPPLIER OR A LICENSED DESIGN PROFESSIONAL

3. CONTACT A LICENSED DESIGN PROFESSIONAL TO EVALUATE AND GIVE RECOMMENDATIONS FOR COMPLIANCE
4. CONTACT YOUR SUPPLIER FOR THE MANUFACTURER'S RECOMMENDED SUMP

**ANY RECOMMENDATIONS ARE BASED ON INFORMATION RECEIVED. THE MANUFACTURER CANNOT BE RESPONSIBLE FOR MISINFORMATION. MANUFACTURER DOES NOT ASSUME LIABILITY FOR THE SUMP, INSTALLATION, OR MISUSE OF THE PRODUCT.**

**SELLER MAKES NO OTHER EXPRESS OR IMPLIED WARRANTY REGARDING THE USEFUL LIFE OF THE PRODUCT OR REGARDING THE OPERATION, USE, OR PERFORMANCE OF THE PROPERTY. SELLER SHALL HAVE NO LIABILITY TO THE BUYER OR ANY PERSON FOR ANY CLAIM, LOSS, DAMAGE, OR EXPENSE (INCLUDING ATTORNEYS FEES) OF ANY KIND OR NATURE, WHETHER SPECIAL, CONSEQUENTIAL, ECONOMIC OR OTHERWISE, CAUSED OR ALLEGED TO BE DIRECTLY, INDIRECTLY, INCIDENTALY, OR CONSEQUENTIALY BY THE PRODUCT OF ANY PART THEREOF OR BY THE INADEQUACY OF THE PRODUCT WHATSOEVER OR ANY RECOMMENDATIONS GIVEN REGARDING THE PRODUCT AND ITS USE.**

**Facility**

**Signature**

**Date**

ANTI-ENTRAPMENT GRATE INSTALL

**Scale** NONE

**Drawing No.**

DSF 30X36

INSTALL

PAGE 2 OF 2

**Date** 7-13-09

**Drawn** AKP

**Chk.**

**Rev.** A 10-19-11