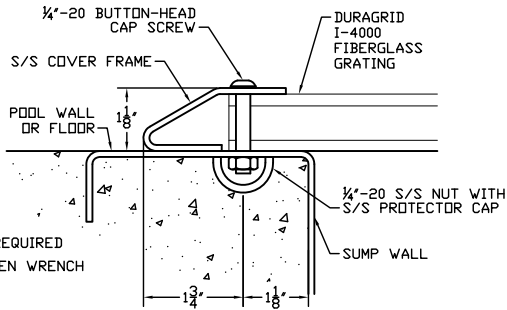


PARTS USED FOR S/S SUMP INSTALL

DESCRIPTION	PART #	QUANTITY
STAINLESS STEEL FRAME	DSRF030-4800	1
F.G. GRATE 44" W X 27" B.B.	DSG4427	1
1/4" GROUND LUG SCREW	BB02507-5000	1
1/4" B. H. CAP SCREW 1 1/2" LG.	SSBS025-1500L	8
ANTI-SEIZE LUBRICANT	SBANTI-SEIZE	1



STAINLESS STEEL SUMP INSTALLATION

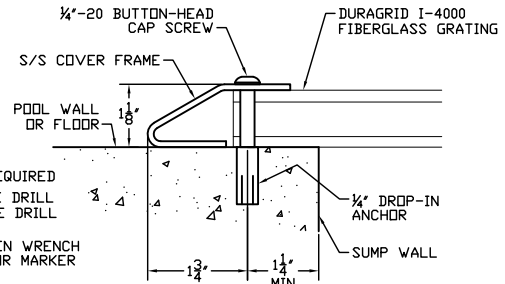
SUMP MUST MEET DIMENSIONS SHOWN IN FIGURE 2 OF THE ANSI/APSP-16 2011 STANDARD

THESE INSTALLATION INSTRUCTIONS ARE FOR THE MANUFACTURERS RECOMMENDED STAINLESS STEEL SUMP

1. GRATE SHOULD BE IN PLACE WHEN CONCRETE IS POURED AROUND THE SUMP TO PREVENT PRESSURE FROM THE CONCRETE DISTORTING THE SUMP WALL AND MOVING THE MOUNTING LOCATIONS
2. FRAME DOES NOT NEED A SEPARATE GROUNDING WIRE, IT WILL GROUND THROUGH THE HARDWARE (S/S SUMP SHOULD BE GROUNDED)
3. APPLY ANTI-SEIZE LUBRICANT TO THE PROVIDED BUTTON-HEAD SCREWS
4. PUT ASSEMBLY IN PLACE AND ATTACH WITH BUTTON-HEAD SCREWS CARE SHOULD BE TAKEN TO MAKE SURE THE FIBERGLASS GRATE IS CENTERED UNDER THE S/S FRAME, A 5/32" ALLEN WRENCH IS NEEDED (TORQUE SCREWS TO 5 FOOT POUNDS)

PARTS USED FOR CONCRETE SUMP INSTALL

DESCRIPTION	PART #	QUANTITY
ANTI-ENTRAPMENT COVER	DSRF030-4800	1
F.G. GRATE 44" W X 27" B.B.	DSG4427	1
1/4" GROUND LUG SCREW	BB02507-5000	1
1/4" S/S DROP-IN ANCHOR	SBCA025-316L	8
1/4" B. H. CAP SCREW 1 1/2" LG.	SSBS025-1500L	8
ANCHOR SETTING TOOL	SBCA025-TOOL	1
ANTI-SEIZE LUBRICANT	SBANTI-SEIZE	1



CONCRETE SUMP INSTALLATION

SUMP MUST MEET DIMENSIONS SHOWN IN FIGURE 2 OF THE ANSI/APSP-16 2011 STANDARD

THESE INSTALLATION INSTRUCTIONS ARE FOR A CONCRETE FIELD FABRICATED SUMP

1. SUMP CAN SIT ON THE POOL FLOOR, SUMP DIMENSIONS NEED TO BE PER MANUFACTURER RECOMMENDATIONS
2. PUT ASSEMBLY IN PLACE AND MARK ALL HOLE LOCATIONS, IF POSSIBLE USE A 1/4" CONCRETE BIT AND DRILL A PILOT HOLE 1" DEEP WITH COVER IN PLACE
3. DRILL 3/8" HOLE IN ALL LOCATIONS 1" DEEP (CHECK MARKS AFTER EACH HOLE)
4. INSERT 1/4" S/S DROP-IN ANCHORS, MAKE SURE THEY ARE FLUSH OR SLIGHTLY BELOW CONCRETE, SET THE ANCHOR BY STRIKING THE INTERNAL PIN WITH THE PROVIDED SETTING TOOL AND A HAMMER
5. ATTACH THE GROUND LUG TO A SUITABLE GROUND (IF REQUIRED) A POTTING COMPOUND AVAILABLE FROM YOUR SUPPLIER TO ENCAPSULATE ALL GROUND CONNECTIONS BETWEEN S/S AND 8 GA. COPPER WIRE
6. APPLY ANTI-SEIZE LUBRICANT TO THE PROVIDED BUTTON-HEAD SCREWS
7. PUT ASSEMBLY IN PLACE AND ATTACH WITH BUTTON-HEAD SCREW, CARE SHOULD BE TAKEN TO MAKE SURE THE FIBERGLASS GRATE IS CENTERED UNDER THE S/S FRAME, A 5/32" ALLEN WRENCH IS NEEDED (TORQUE SCREWS TO 5 FOOT POUNDS)

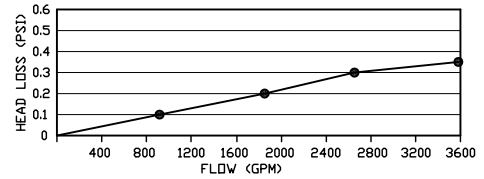
DSR30X48 ANTI-ENTRAPMENT GRATE INFORMATION
READ AND UNDERSTAND COMPLETELY BEFORE INSTALLATION
FAILURE TO DO SO CAN CAUSE SEVERE INJURY AND/OR DEATH

SUMP SIZE	CERTIFIED FLOW RATE	RECOMMENDED FLOW RATE
12' X 36'	1630 GPM	757 GPM @ 1.5 F.P.S.
18' X 36'	2494 GPM	1135 GPM @ 1.5 F.P.S.
24' X 36'	3162 GPM	1504 GPM @ 1.5 F.P.S.

1. THIS GRATE WAS TESTED AND IS CERTIFIED TO ANSI/APSP-16 2011 STANDARDS
2. MANUFACTURED BY EUREKA MANUFACTURING, MODEL NUMBER DSR30X48, MAXIMUM FLOW RATING IS BASED ON SUMP SIZE. SEE THE ABOVE CHART
3. CLASSIFICATION IS "SUBMERGED SUCTION OUTLET" AND IS APPROVED FOR FLOOR INSTALLATIONS ONLY
4. THIS GRATE IS APPROVED TO ONLY FIT INTO THE MANUFACTURER RECOMMENDED STAINLESS STEEL SUMP OR A CONCRETE SUMP THAT CONFORMS TO THE DIMENSIONS IN FIG 2 OF THE ANSI/APSP-16 2011 STANDARD, ANY OTHER APPLICATION MUST BE DESIGNED AND APPROVED BY A REGISTERED DESIGN PROFESSIONAL
5. DO NOT LOCATE SUCTION OUTLET ON SEATING AREA OR ON THE BACK RESTS FOR SUCH SEATING AREAS
6. REPLACE HARDWARE AND GRATE ASSEMBLY WITHIN 8 INSTALLED YEARS
7. WHEN TWO OR MORE SUCTION FITTINGS ARE USED ON A COMMON SUCTION LINE THEY MUST BE SEPARATED BY A MINIMUM OF 3' (91.44 CM)
8. IN THE EVENT OF ONE SUCTION OUTLET BEING COMPLETELY BLOCKED, THE REMAINING SUCTION OUTLETS SERVING THE SYSTEM SHALL HAVE A FLOW RATING CAPABLE OF THE FULL FLOW OF THE PUMP(S) FOR THE SPECIFIC SUCTION SYSTEM
9. THE SUCTION OUTLET SHOULD BE CHECKED FOR DAMAGE OR TAMPERING BEFORE EACH USE OF THE FACILITY
10. MISSING, BROKEN, OR CRACKED SUCTION OUTLETS SHALL BE REPLACED BEFORE USING THE FACILITY
11. LOOSE SUCTION OUTLETS SHALL BE REATTACHED OR REPLACED BEFORE USING THE FACILITY
12. WHEN REPLACING THE PUMP, MAKE SURE NOT TO EXCEED THE MAXIMUM FLOW RATE FOR THE SUCTION OUTLET

Facility		Signature		Date	
ANTI-ENTRAPMENT GRATE INSTALL			Scale NONE		Drawing No. DSR30X48 INSTALL PAGE 1 OF 2
Date 5-29-09	Drawn AKP	Chk.	Rev. A 10-19-11		

13. SERVICE AND WINTERIZING INSTRUCTIONS: CHECK GRATE DAILY WHILE POOL IS IN USE, IF GRATE SHOULD BECOME LOOSE TIGHTEN SOCKET-HEAD SCREWS OR REINSTALL
14. ACCEPTABLE CONNECTING PIPE SIZES ARE 10", 12", AND 14"
15. DO NOT EXCEED THE MAXIMUM ALLOWABLE FLOW PER SUMP SIZE
 12"X36 SUMP = 1630 MAXIMUM GPM
 18"X36 SUMP = 2494 MAXIMUM GPM
 24"X36 SUMP = 3162 MAXIMUM GPM
16. READ, THEN KEEP THESE INSTRUCTIONS FOR FUTURE REFERENCE



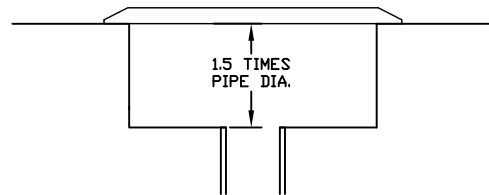
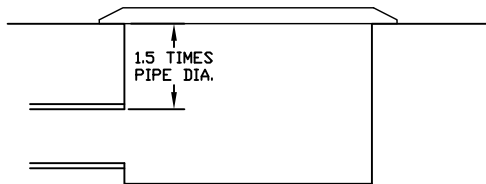
THIS ANTI-ENTRAPMENT GRATE ASSEMBLY SHALL BE GUARANTEED BY THE MANUFACTURER FOR WORKMANSHIP AND MATERIALS FOR A PERIOD OF ONE (1) YEAR. GRATE IS MORE SUSCEPTIBLE TO CORROSION IF IT IS NOT GROUNDED. CLEANING THE GRATE TO PRESERVE THE FINISH MAY BE REQUIRED AND IS NOT COVERED UNDER THE WARRANTY. THE WARRANTY WILL NOT INCLUDE ABUSIVE OR IMPROPER TREATMENT OF THE GRATE DURING INSTALLATION OR UNDER OPERATION. THE COMPANY SHALL HAVE NO LIABILITY TO CORRECT ANY DAMAGE CAUSED BY NEGLIGENCE, MISUSE, OR ANY OTHER EXTERNAL CAUSES. THE BUYER'S SOLE REMEDY IS REPLACEMENT OF THE PRODUCT. THERE IS NO REMEDY FOR OTHER DAMAGES INCLUDING CONSEQUENTIAL DAMAGES FOR INSTALLATION COSTS, LOST PROFITS, OR OTHER DAMAGES.

POOL INFORMATION

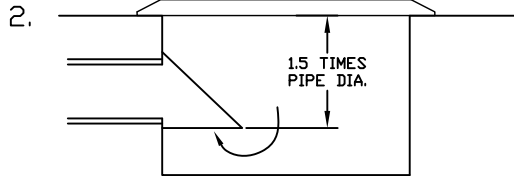
1. NUMBER OF SUMPS ON THIS SUCTION LINE
2. SIZE OF SUMP OPENING (S)
3. IS THE SUMP (S) UNDER POSITIVE SUCTION OR GRAVITY FLOW
4. DOES THE SYSTEM HAVE A VACUUM RELEASE SYSTEM
5. SIZE AND LOCATION OF PIPE IN THE SUMP
6. DISTANCE FROM POOL FLOOR TO THE SUCTION PIPE INLET (SEE BELOW)
7. GPM NEEDED ON THIS SUCTION LINE
8. DISTANCE BETWEEN PIPE CENTERLINES (IF MULTIPLE DRAINS)
9. PLEASE PROVIDE ANY ADDITIONAL INFORMATION THAT MAY BE NECESSARY OR HELPFUL

SUMP OPTIONS

1. FIELD BUILT SUMP (INCLUDES EXISTING SUMPS)



-DRAWINGS REFLECT ANSI/APSP-16 2011 STANDARD, ADDITIONAL RESTRICTIONS MAY APPLY



- ADD SUCTION DIVERTER
- CONTACT YOUR SUPPLIER FOR MORE INFORMATION
- DETAILED SUMP INFORMATION WILL BE NEEDED
- IF YOUR SUMP DOES NOT MEET THE REQUIREMENTS DESCRIBED IN FIG. 1 IT MAY BE POSSIBLE TO ADD A SUCTION DIVERTER (DEPENDING ON YOUR SUMP CONFIGURATION) FOR MORE INFORMATION ON THIS OPTION CONTACT YOUR SUPPLIER OR A LICENSED DESIGN PROFESSIONAL

3. CONTACT A LICENSED DESIGN PROFESSIONAL TO EVALUATE AND GIVE RECOMMENDATIONS FOR COMPLIANCE
4. CONTACT YOUR SUPPLIER FOR THE MANUFACTURER'S RECOMMENDED SUMP

ANY RECOMMENDATIONS ARE BASED ON INFORMATION RECEIVED. THE MANUFACTURER CANNOT BE RESPONSIBLE FOR MISINFORMATION. MANUFACTURER DOES NOT ASSUME LIABILITY FOR THE SUMP, INSTALLATION, OR MISUSE OF THE PRODUCT.

SELLER MAKES NO OTHER EXPRESS OR IMPLIED WARRANTY REGARDING THE USEFUL LIFE OF THE PRODUCT OR REGARDING THE OPERATION, USE, OR PERFORMANCE OF THE PROPERTY. SELLER SHALL HAVE NO LIABILITY TO THE BUYER OR ANY PERSON FOR ANY CLAIM, LOSS, DAMAGE, OR EXPENSE (INCLUDING ATTORNEYS FEES) OF ANY KIND OR NATURE, WHETHER SPECIAL, CONSEQUENTIAL, ECONOMIC OR OTHERWISE, CAUSED OR ALLEGED TO BE DIRECTLY, INDIRECTLY, INCIDENTALY, OR CONSEQUENTIALY BY THE PRODUCT OF ANY PART THEREOF OR BY THE INADEQUACY OF THE PRODUCT WHATSOEVER OR ANY RECOMMENDATIONS GIVEN REGARDING THE PRODUCT AND ITS USE.

Facility		Signature		Date	
ANTI-ENTRAPMENT GRATE INSTALL		Scale NONE		Drawing No. DSR30X48	
Date 5-29-09		Drawn AKP		INSTALL	
Chk.		Rev. A 10-19-11		PAGE 2 OF 2	