

PD BOX 1473 BISMARCK ND 58502
 THE INFORMATION CONTAINED HEREIN IS CONFIDENTIAL AND
 THE PROPERTY OF EUREKA MANUFACTURING CO. NO
 DUPLICATIONS WILL BE PERMITTED WITHOUT THE PERMISSION
 OF EUREKA MANUFACTURING CO.



Scale: NONE

24" X 24"
 FLUSH MOUNT
 ANTI-ENTRAPMENT
 GRATE ASSEMBLY

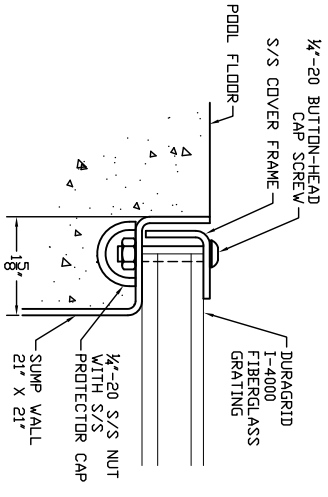
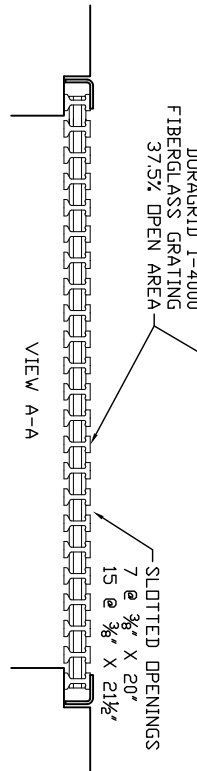
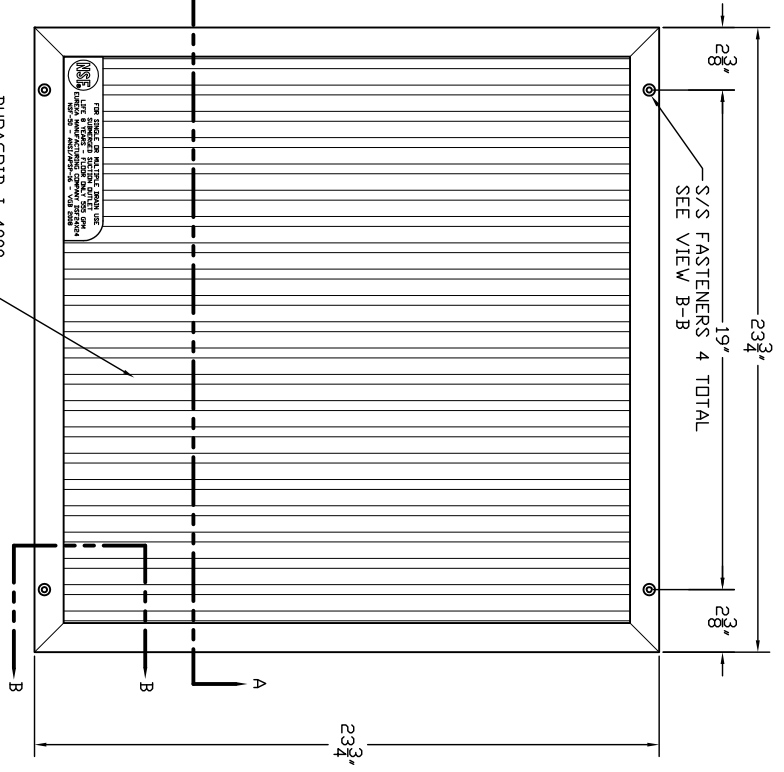
Proj:

DSF24X24

Rev: A 10-18-11

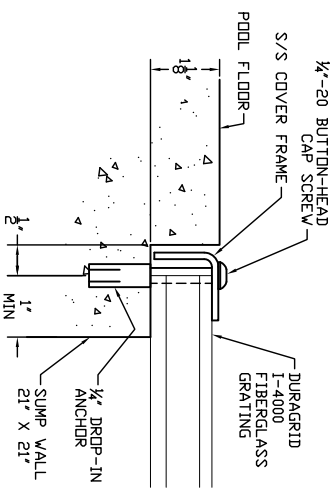
Drawn: AKP

Date: 7-13-09



VIEW B-B S/S SUMP INSTALLATION

THE MANUFACTURER ASSUMES NO LIABILITY FOR INCORRECT INSTALLATION, AN INCORRECT SUMP, MISUSE OF THE PRODUCT, OR INCORRECT WATER CHEMISTRY



VIEW B-B CONCRETE SUMP INSTALLATION

DSF24X24 FLUSH ANTI-ENTRAPMENT COVER
 GRATE TO FIT INSIDE AN EXISTING 24" X 24"
 CONCRETE OR STAINLESS STEEL SUMP
 MATERIAL OF FRAME TO BE 12 GA. 304L S/S
 GRATING TO BE DURAGRID I-4000 FIBERGLASS
 1" WHITE HARDWARE TO BE 316 S/S
 GRATE HAS 165 SQ. IN. OF OPEN AREA AND
 IS CERTIFIED FOR 555 GPM, FLOOR ONLY
 AT 555 GPM WATER THROUGH THE GRATE IS
 FLOWING AT 1.079 FEET PER SEC
 GROUNDING WIRE INCLUDED



FOR SINGLE OR MULTIPLE DRAIN USE
 SUBMERGED SUCTION ONLY
 LIFE 8 YEARS - FLOOR ONLY 555 GPM
 EUREKA MANUFACTURING COMPANY DSF24X24
 NSF-50 - ANSI/APSP-16 - VGB 2008

ENLARGED VIEW OF ETCHING
 ETCHING LETTER HEIGHT IS .15"