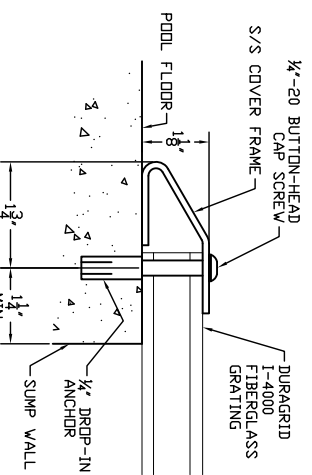
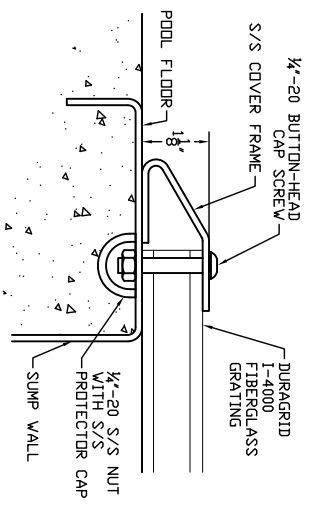
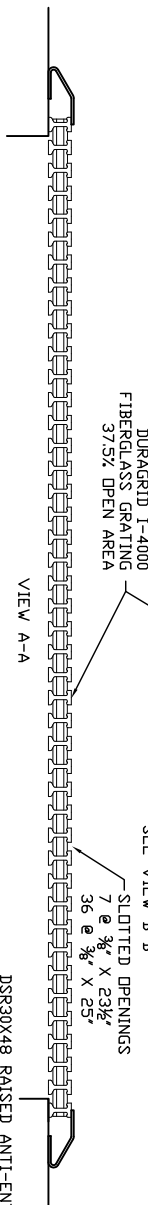
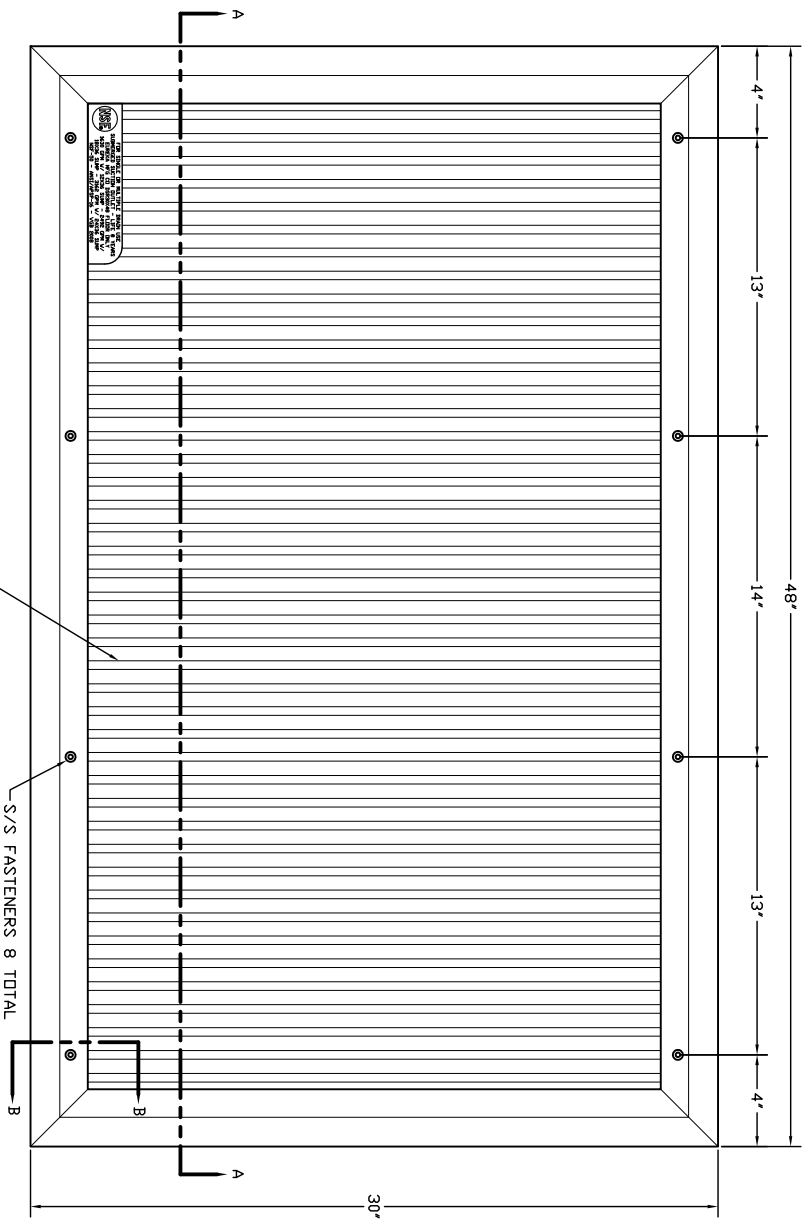


Proj: 30" X 48"
 RAISED MOUNT
 ANTI-ENTRAPMENT
 GRATE ASSEMBLY

Scale: NONE

Date: 7-13-09
Drawn: AKP
Rev: A 10-18-11
 DSR30X48



VIEW B-B S/S SUMP INSTALLATION
 THE MANUFACTURER ASSUMES NO LIABILITY FOR INCORRECT INSTALLATION,
 AN INCORRECT SUMP, MISUSE OF THE PRODUCT, OR INCORRECT WATER CHEMISTRY

VIEW B-B CONCRETE SUMP INSTALLATION

DSR30X48 RAISED ANTI-ENTRAPMENT COVER

GRATE IS DESIGNED FOR FLOOD APPLICATIONS ONLY
 MOUNTED DIRECTLY TO CONCRETE OR A S/S SUMP
 GPM RATING IS BASED ON THE SUMP SIZE

MATERIAL OF FRAME TO BE 12 GA. 304L S/S
 GRATING TO BE DURAGRID 1-4000 FIBERGLASS
 1" WHITE HARDWARE TO BE 316 S/S

GROUNDING TAB INCLUDED

SUMP SIZE	OPEN AREA	CERTIFIED FLOW RATE	RECOMMENDED FLOW RATE
12" X 36"	162 SQ. IN.	1630 GPM	757 GPM @ 1.5 F.P.S.
18" X 36"	243 SQ. IN.	2494 GPM	1135 GPM @ 1.5 F.P.S.
24" X 36"	322 SQ. IN.	3162 GPM	1504 GPM @ 1.5 F.P.S.

NSF

FOR SINGLE OR MULTIPLE DRAIN USE
 SUBMERGED SUCTION OUTLET - LIFE 8 YEARS
 EUREKA MFG CO DSR30X48 FLOOD ONLY
 1630 GPM W/ 12X36 SUMP - 2492 GPM W/
 18X36 SUMP - 3162 GPM W/ 24X36 SUMP
 NSF-50 - ANSI/APSP-16 - VGB 2008

ENLARGED VIEW OF ETCHING
 ETCHING LETTER HEIGHT IS .14"